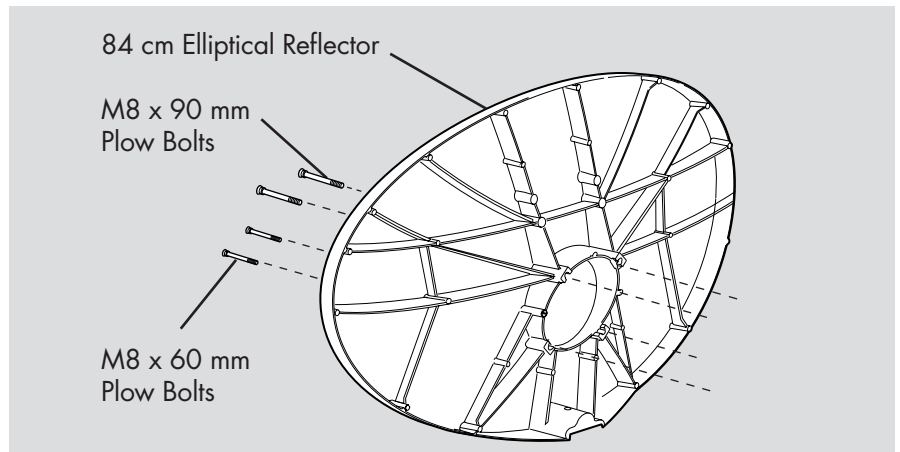




# 84E Outdoor Unit

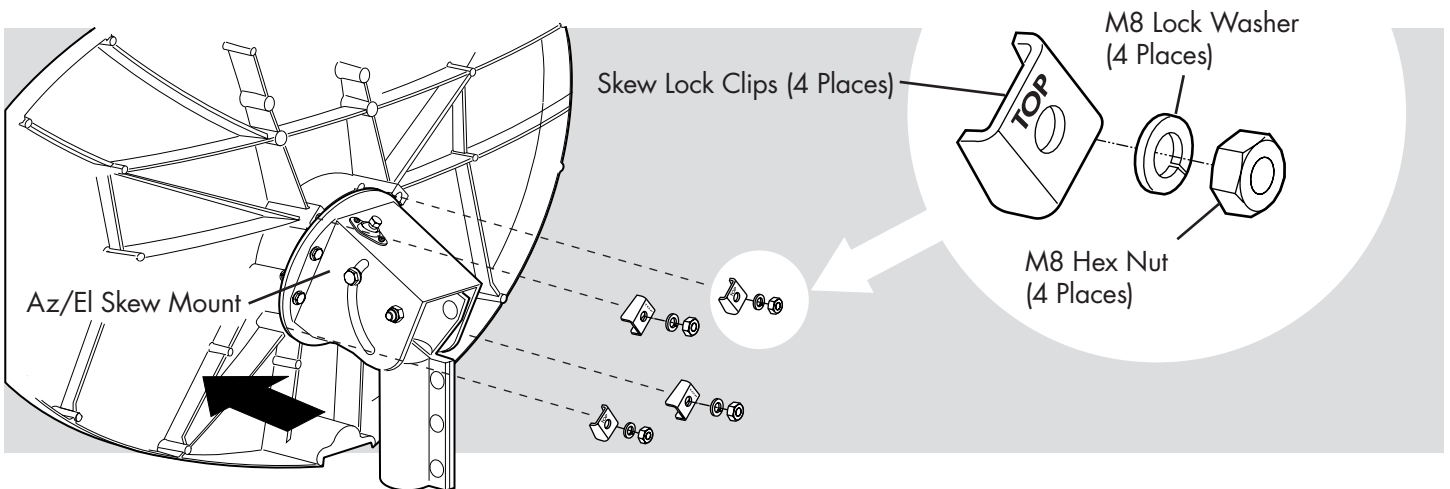
## Step 1

Insert M8 x 90 mm plow bolts through upper holes of reflector and M8 x 60 mm plow bolts through lower holes.



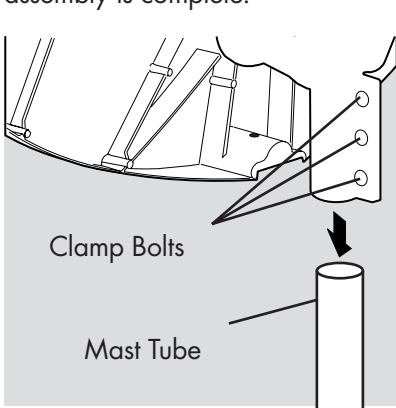
## Step 2

Secure Az/El Skew mount to reflector with four clips, M8 lock washers and M8 hex nuts. Note orientation of "TOP" on Skew Lock Clips illustration to properly attach.



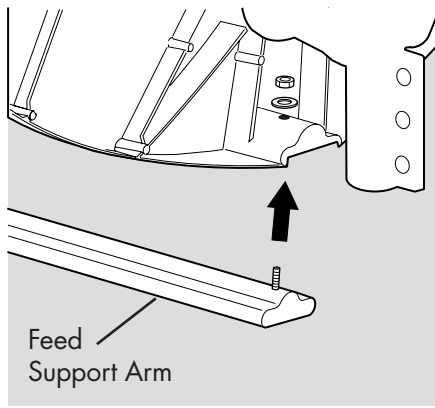
## Step 3

Slide Az/El/Skew mount over mount mast tube and loosely fasten clamp bolts until final assembly is complete.



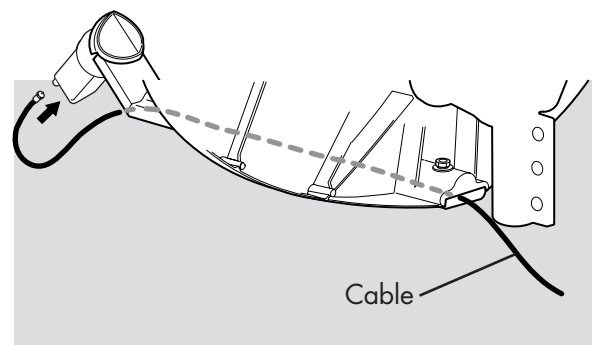
## Step 4

Attach feed support arm to reflector with M8 washer and M8 hex nut. Fully tighten all hardware.



## Step 5

Route cable through rear of feed arm and out front of feed arm. Attach cable to end of LNB via F-connector.



See Back for Parts List.



## ASC Signal Offers A New Universal Feed Adapter Kit

ASC Signal introduces another innovation in its on-going quest to simplify and improve your choices in the often complicated and confusing VSAT electronics market.

Engineered and produced from the highest quality materials, the **ASC Signal Universal Feed Adapter Kit** allows any customer provided feed to adapt and attach to our state of the art transceivers.

Our transceivers have removed the glass ceiling paradigm of traditional transceivers and electronics. By combining the OMT, BUC, LNB and TRF in one water tight sealed housing, we practically eliminated your electronics inventory headaches.

To celebrate this development, **ASC Signal** is making available a limited time offer. You can address many of your questions and concerns regarding our transceivers

by ordering one and test the attributes with your current communications system. If the component doesn't meet or exceed all your needs, return the transceiver for a 100% refund.... no questions asked.

Call today to test drive our electronics and find out what all the buzz is about.

