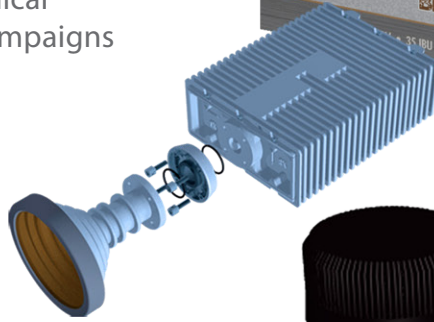


Product and Package Design

LAYOUT & DESIGN

Designed and developed product packaging and labels including 3D models, technical assembly manuals, and advertising campaigns promoting products.



REPLACE
HARD WORK
WITH TOOLS THAT
WORK HARD



GET TO WORK >

GOLDEN
ROSE

